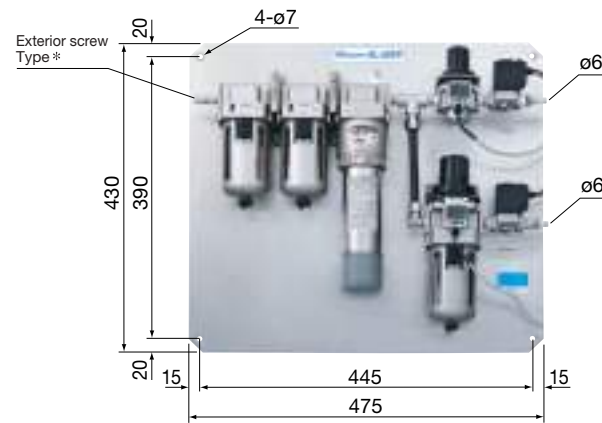


Air Line Kit

AL-A0611 (For ø6mm Hose)



■ The AL-A0611 is a high grade air supply unit for the Xpeed Series. Filter Mesh 0.01µm is realized with micro mist filter.

Filter Mesh 0.01 µm

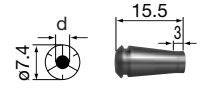
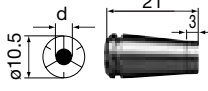
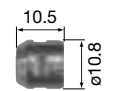
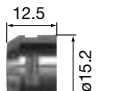

Code No. **1548** Model **AL-A0611**

< Standard Equipment · Accessories >

- Mist Separator • Micro Mist Separator • Membrane Air Dryer
- Regulator • Solenoid Valve

* Exterior screw Type (Model KK13P-02M made by SMC Corporation)

■ Parts

Product	Inside Diameter : ødmm / Description	Fit to	Model	Code No.
 <p>Collet Chuck : CHA Group AA (Spindle Accuracy : Within 2 µm)</p>	ø3.0AA High precision type	Xpeed1600	CHA-3.0AA	91494
	ø3.175AA High precision type		CHA-3.175AA	91496
	ø4.0AA High precision type		CHA-4.0AA	91495
 <p>Collet Chuck : CHK Group AA (Spindle Accuracy : Within 2 µm)</p>	ø3.0AA High precision type	Xpeed1200	CHK-3.0AA	91597
	ø3.175AA High precision type		CHK-3.175AA	91598
	ø4.0AA High precision type		CHK-4.0AA	91599
	ø6.0AA High precision type		CHK-6.0AA	91600
	ø6.35AA High precision type		CHK-6.35AA	91601
	Chuck Nut	Xpeed1600	CHN-3A	2160
	Chuck Nut	Xpeed1200	K-265A	2158
	ø6-ø4mm Adaptor	AL-A0611	Reducer	1544

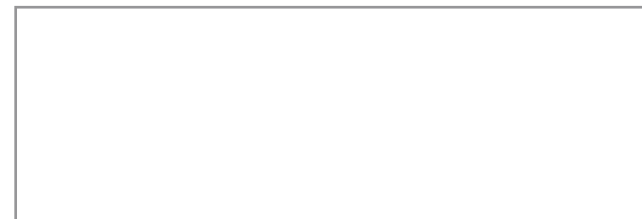
*Please mention "Code Number" upon your order.

● Specifications may be changed without notice.

NAKANISHI INC. www.nakanishi-inc.com

Headquarters | 700 Shimohinata, Kanuma-shi, Tochigi-ken 322-8666, Japan
TEL : +81(0)289-64-3380 FAX : +81(0)289-62-5636

TokyoOffice | 9F TIXTOWER UENO, 4-8-1, Higashiueno, Taito-ku, Tokyo 110-0015, Japan
TEL : +81(0)3-5828-7740 FAX : +81(0)3-5828-0064



PR-K300E Ver.2 '10.10.005.A

Xpeed

Ultra-high-Speed & Super-Precision

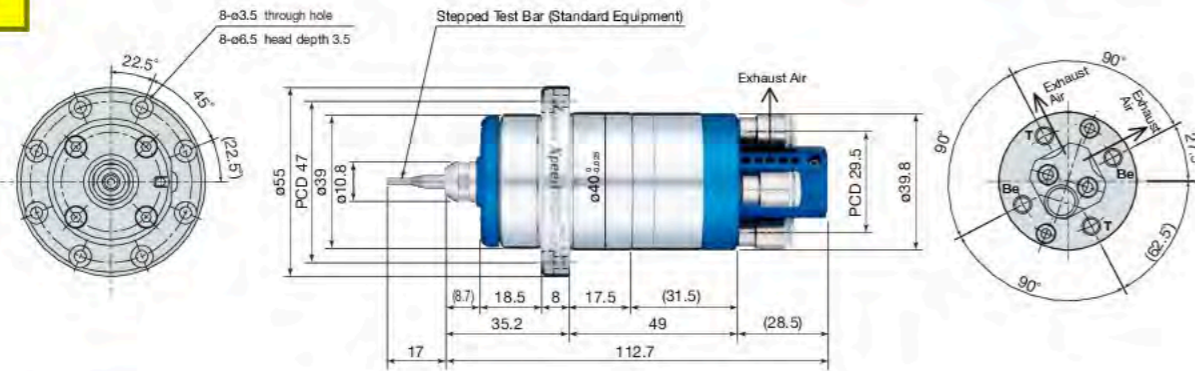
▶ "Xpeed SERIES" TURBINE SPINDLE

Air Bearing Turbine Spindle	O.D.	Speed	Collet Chuck	Spindle Runout	Max. Power	Weight
Xpeed1600	ø40mm	160,000min ⁻¹ (0.45MPa)	CHA Group (Refer to the end about the details)	Within 1 μm	56W	520g

NEW

DXF-data

Code No. **1855** Model **Xpeed1600**



< Specifications >

Main body mount method : Flange mounting method,
M3 bolt (8 locations, 45° Angle, PDC47)

Bearing Type : Air static bearing
Proper Air Pressure for Air Bearing : 0.6MPa
Air Consumption for Air Bearing : 40NL/min
Proper Air Pressure for Air Turbine : 0.15~0.45MPa
Air Consumption for Air Turbine : 160NL/min

Bearing Load Capacity : Radial : Less than 15N, Thrust : Less than 25N
(Bearing Air supply pressure 0.6MPa)

Useable Max. Diameter of Grindstone : Less than ø2.0mm (For ø4.0mm shank)

Hose Diameter : Bearing supply ø4mm (2 locations)
Turbine Air supply ø6mm (2 locations)

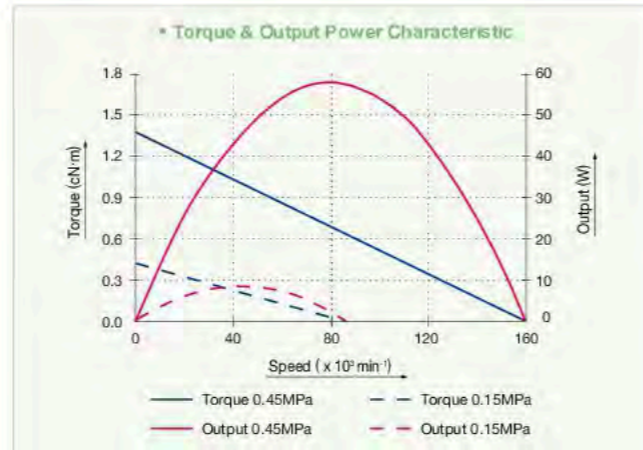
Others : Detection of Rotation Speed Mark

< Standard Equipment - Accessories >

- Collet Chuck ø4.0mm (CHA-4.0AA) • Chuck Nut (CHN-3A)
- ø4 Hose (transparent 2m) :1 pc. • ø6 Hose (blue 2m) :1 pc.
- ø6 Plug : 2 pcs. • ø4 Plug : 2 pcs.
- Stepped Test Bar (ø2.0mm x ø4.0mm x 34L) : 1 pc.
- Bar Wrench (K-277) : 1 pc. • Torque Wrench (10 mm) : 1 pc.
- Allen Wrench (2 mm) : 1 pc.
- Hexagon Socket Button Head Bolt (M3x5L) : 1 pc.
- Gasket (for M3) : 1 pc.

< Optional >

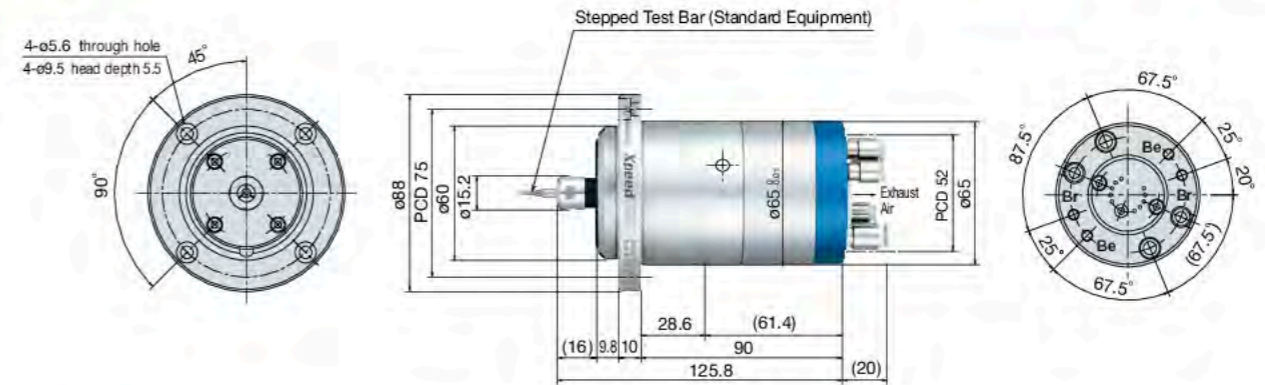
Collet Chuck (CHA Group) : Refer to the end about the details



Air Bearing Turbine Spindle	O.D.	Speed	Collet Chuck	Spindle Runout	Max. Power	Weight
Xpeed1200	ø65mm	120,000min ⁻¹ (0.55MPa)	CHK Group (Refer to the end about the details)	Within 1 μm	192W	2.3kg

DXF-data

Code No. **1854** Model **Xpeed1200**



< Specifications >

Main body mount method : Flange mounting method,
M5 bolt (4 locations, 90° Angle, PCD75)

Bearing Type : Air static bearing
Proper Air Pressure for Air Bearing : 0.6MPa
Air Consumption for Air Bearing : 80NL/min
Proper Air Pressure for Air Turbine : 0.24~0.55MPa
Air Consumption for Air Turbine : 300NL/min

Bearing Load Capacity : Radial : Less than 25N, Thrust : Less than 70N
(Bearing Air supply pressure 0.6MPa)

Useable Max. Diameter of Grindstone : Less than ø2.0mm (For ø4.0mm shank)

Hose Diameter : Bearing supply ø4mm (2 locations)
Break Air supply ø6mm (2 locations)
Turbine Air supply ø6mm (2 locations)

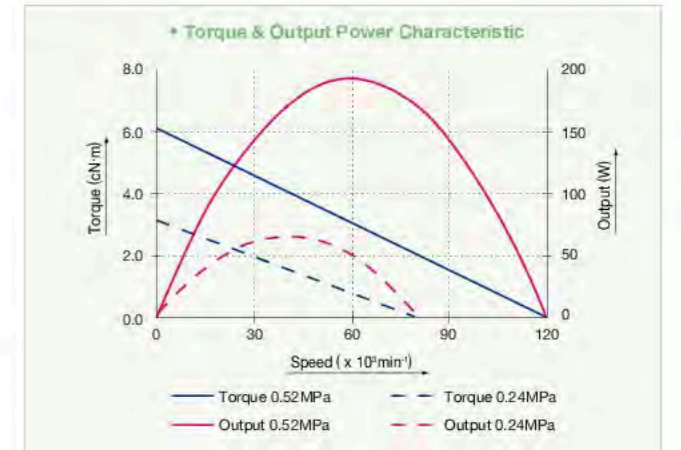
Others : Detection of Rotation Speed Mark

< Standard Equipment - Accessories >

- Collet Chuck ø4.0mm (CHK-4.0AA) • Chuck Nut (K-265A)
- ø6 Hose (transparent 2m) :1 pc. • ø6 Hose (blue 2m) :1 pc.
- ø6 Plug : 6 pcs.
- Stepped Test Bar (ø2.0mm x ø4.0mm x 34L) : 1 pc.
- Spanner (12 x 14) : 1 pc.
- Torque Wrench (14 mm) : 1 pc.

< Optional >

Collet Chuck (CHK Group) : Refer to the end about the details



⚠ Caution

- Air bearing spindles require clean dry air for proper operation.
- Never rotate the spindle, change cutting tools or collet without supplying clean, dry air to the bearing surfaces.
- Always supply clean, dry air to the bearing surfaces even when the spindle is not being rotated.
- Do not start work process until after stable rotation has been established and verified.

*Please mention "Code Number" upon your order.